

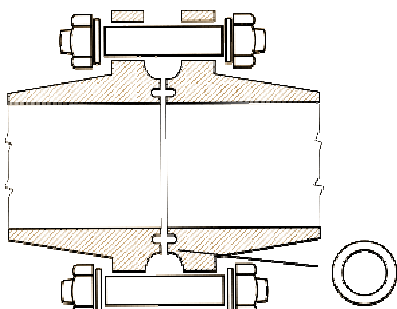
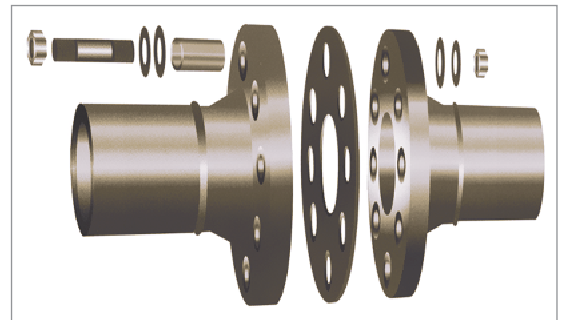
TECHNICAL DATA SHEET

INSULATION GASKET KITS

TME GK

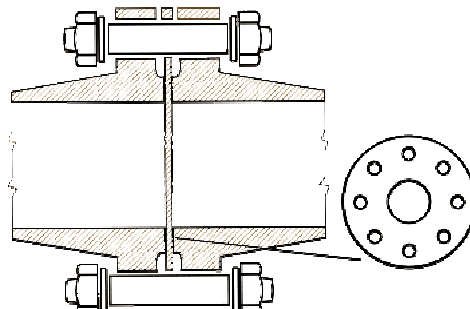
Description

These kits are manufactured from cathodically insulated materials with high compressibility strength and good stability in order to prevent stray currents which cause corrosion. Available in Type D, E and F.



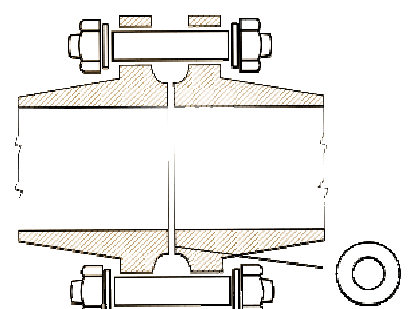
TYPE D SETS

Are suitable for standard RTJ flange groove.



TYPE E SETS

Are suitable for full face and flat flanges.



TYPE F SETS

Are suitable for raised face flanges and use a central gasket which locates inside the bolt circle of the flange.

Available Gasket Material

Material	Phenolic
Dielectric Strength (volts/mil)	400-500
Water absorption (%)	1.1
Maximum continuous operating temperature	104°C - 219°F